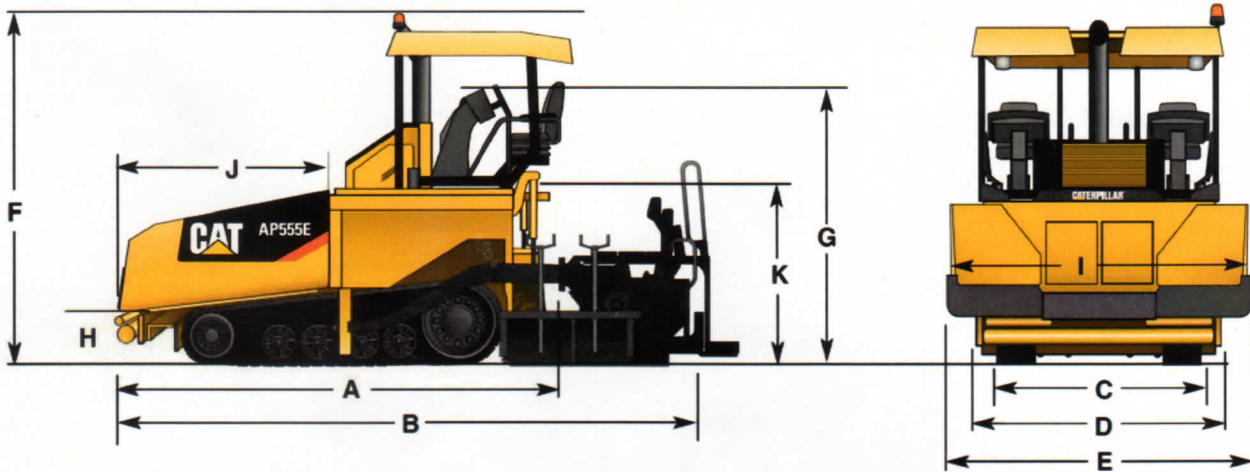


AP555E Paver Specifications



Dimensions

A Tractor length w/push roller	4.38 m (14' 4")
B Length with push roller and AS2252C screed w/walkway up	5.46 m (17' 11")
Length with push roller and AS2252C screed w/walkway down	5.80 m (19')
Length with push roller and AS3251C screed	6.11 m (20')
Length with push roller and AS4251C screed	5.75 m (18' 10")
Length with push roller and AS4252C screed	5.75 m (18' 10")
C Track gauge width (outside to outside)	2.22 m (8' 3")
D Transport width with screed end gates (hopper raised)	2.72 m (8' 11")
Transport width without screed end gates (hopper raised)	2.50 m (8' 2")
E Tractor operating width (hopper lowered)	3.31 m (10' 10")
F Operating height	3.84 m (12' 7")
G Transport height with fumes stack and seat lowered	2.82 m (9' 3")
H Truck entry height (apron)	576 mm (23")
I Truck entry width	3.20 m (10' 6")
J Hopper length	1.96 m (6' 5")
K Deck Height	1.78 m (5' 10")

Weights

AP555E Tractor only	12 590 kg (27,760 lb)
AP555E Tractor w/canopy	12 945 kg (28,539 lb)
w/AS2252C*	16 005 kg (35,290 lb)
w/AS3251C*	16 240 kg (35,810 lb)
w/AS4251C**	17 710 kg (39,044 lb)
w/AS4252C**	16 745 kg (36,916 lb)

* Weight without canopy

** Weight with canopy

Powertrain

Cat C4.4 ACERT engine	
Gross Power (Imperial)	106 kW (142 hp)
Gross Power (Metric)	106 kW (144 hp)
Fuel tank capacity	189 L (50 gal)
Speeds:	
Paving	61 mpm (200 fpm)
w/tamper bar screed	25 mpm (82 fpm)
Travel	11 km/hr (7 mph)

Paving Range

w/AS2252C	1.88 m - 5.60 m (6' 2" - 18' 5")
w/AS3251C	1.83 m - 6.15 m (6' - 20' 2")
w/AS4251C	2.55 m - 7.00 m (8' 2" - 23')
w/AS4252C	2.55 m - 8.00 m (8' 2" - 26' 4")
Max Paving Depth	305 mm (12")

Miscellaneous

Max. throughput capacity	1087 tonnes/h (1,198 tons/h)
Hopper capacity*	6.2 m ³ (219 ft ³)
Electrical system	24 V, 75A alternator
Generator size	25 kW

* Includes tunnels